



"LIQUID COOLING SOLUTIONS"

1.800.334.COOL (2665)

Polar Series Split System Water Chiller

Cooling Capacity

POLAR MODEL #	RATED CAPACITY**		Standard Pump HP	Standard Tank Cap	Module	
	BTUH	TONS			Size	Qty.
EP-5	60000	5	1.5	120	5T	1
EP-10	120000	10	2.0	120	5T	2
EP-15	180000	15	2.0	120	5T	3
EP-20	240000	20	2.5	120	5T	4

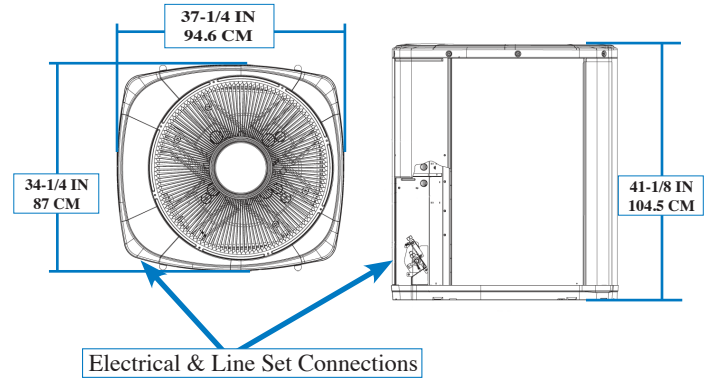
** Standard ARI Conditions(95F Ambient/ 50F LWT)

Condensing Unit Information

Model #	3000B	4000B
POWER CONNECTIONS - V/PH/Hz	200/230/3/60	460/3/60
MIN. BRCH. CIR. AMPACITY	24	12
BR. CIR. PROT. RTG. - MAX (AMPS)	40	20
REFRIGERANT - LBS. R-410A	9 LBS., 6 OZ.	9 LBS., 6 OZ.

Electrical Requirements

POLAR MODEL #	INDOOR VOLTAGE	PUMP HP	Min. Circuit Ampacity	Max Circuit Breaker	Water Flow	
					GPM	PSI
-152	230/1/60	1.5	9	20	15	40
-202	230/1/60	2.0	10	20	25	45
-252	230/1/60	2.5	11	20	35	45
-302	230/1/60	3.0	20	40	45	50
-153	230/3/60	1.5	7	15	15	40
-203	230/3/60	2.0	8	15	25	45
-253	230/3/60	2.5	9	20	35	45
-303	230/3/60	3.0	11	20	45	50
-154	460/3/60	1.5	3	5	15	40
-204	460/3/60	2.0	4	10	25	45
-254	460/3/60	2.5	5	10	35	45
-304	460/3/60	3.0	6	10	45	50



Chiller Dimensions

